



**INSTANT**

# FACADE SCAFFOLDS

*Instant Blitz-Fix*

## INSTANT BLITZ-FIX

Facts  
Combo deals and trailer packages  
Type approval

## COMPONENTS

Main components

## COMBO DEALS

Light scaffolding  
Information  
Standard equipment  
Optional equipment

## LIGHT SCAFFOLDING

**Instant Blitz-fix** is a modern modular constructed facade scaffolding in aluminum, with assembly frames, platforms and guardrails as main components. The system is very well suited for a variety of building projects, such as painting, insulation, carpentry, plastering, window replacement, plumbing etc. Instant Blitz-fix scaffolding system is constructed with measurements and details that make it possible to use it with a number of others scaffold brands.

A few simple details make it very easy and quick to assemble and disassemble the **Instant Blitz-Fix**, increase efficiency and reduce the expenses. Blitz-Fix is constructed in aluminum with extremely light components, which contribute to minimum risk when working at heights.

Easy and quick assembly/disassembly is done in a logical order that is predetermined and therefore contributes significantly to eliminate the possibility of improper assembly.

It is also no doubt that easy system scaffolding in aluminum with very light components contributes to a significantly lower risk when working at heights, especially during assembly and disassembly. At the same time, one will also often achieve a gain in form of lower risk of load damage and abrasion damage.

**For most of us who work at height, the feeling of security is invaluable.**

## STANDARD EQUIPMENT

### Information:

Max. load	<b>3 (200 kg/m<sup>2</sup>)</b>
Section length	<b>0.5 m - 3.07 m</b>
Basic vertical frames (height)	<b>2.0 m</b>
Basic vertical frames (width)	<b>0.73 m</b>



## INFORMATION

Instant Blitz facade scaffolding is produced in Germany under strict quality requirements both for the materials and production. The factory is ISO 9001 certified. The scaffolds are tested at TÜV and SP, and are type approved by the Norwegian Labor Inspection Authority. (In addition, there are approvals from several other countries.)

When choosing a scaffold supplier it is important to think ahead. Scaffolding will last for many years and supplementation possibilities are therefore important. Instant was established in Norway in 1973, and thanks to our loyal customers, competitive conditions and a constant focus on quality, we have a history that makes you feel safe about Instant being the supplier in the future.

## OPTIONAL EQUIPMENT

- *Exterior and interior consoles*
- *Netting grills for extra protection when working on roof tops*
- *Various types of connectors*
- *Signs and tools*
- *Stairway sections*
- *Lattice beams*
- *Path frames for pedestrians*
- *Roof over the ceilings*



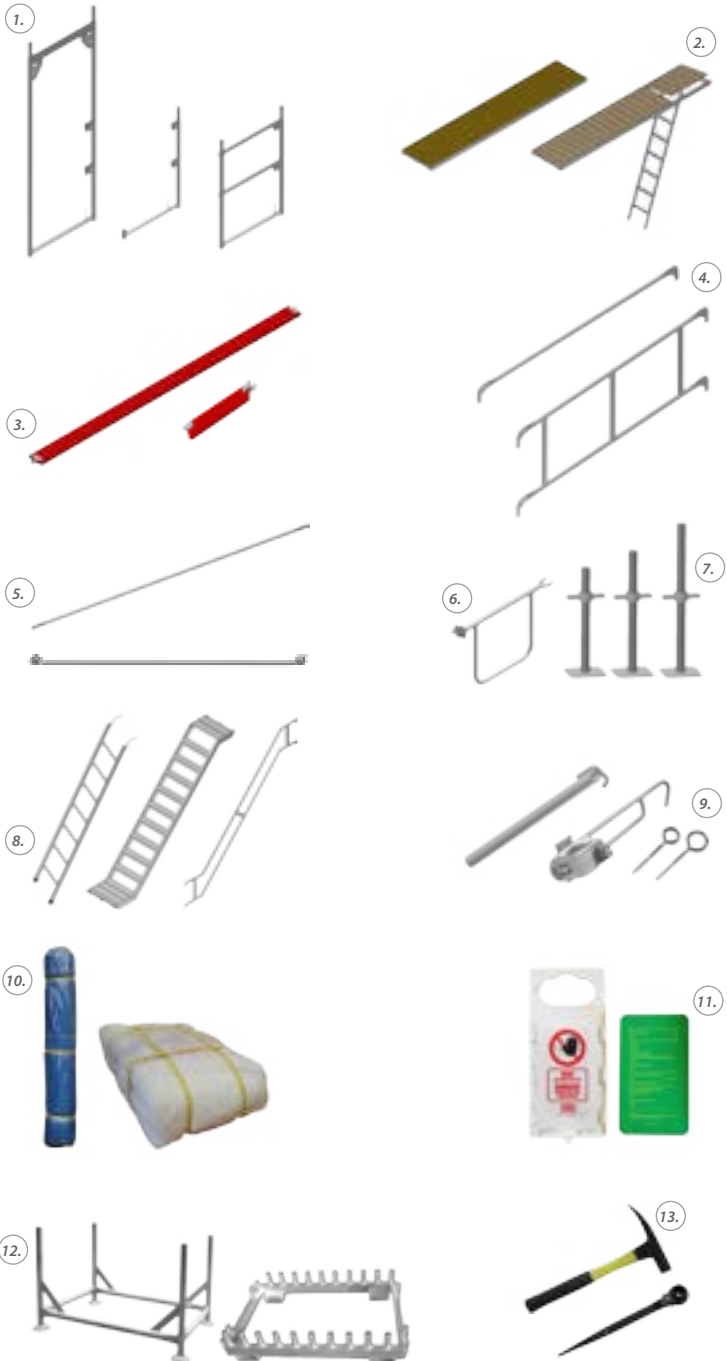
1. Assembly frames
2. Platforms
3. Toe boards
4. Guardrails (side)
5. Braces
6. Guardrails (end)
7. Leg adjustments
8. Stairs and ladders
9. Wall anchorage
10. Scaffold cover
11. Signs
12. Transport pallets
13. Tools

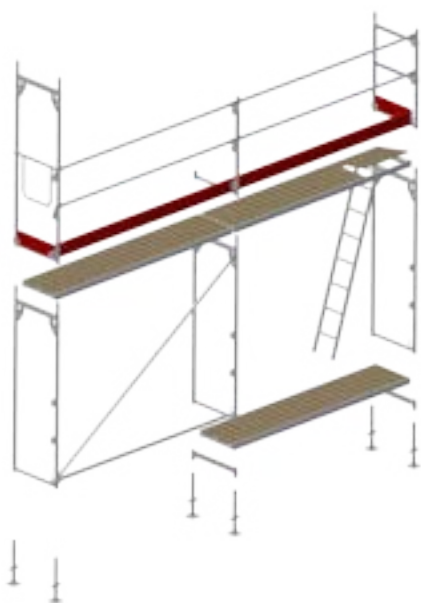
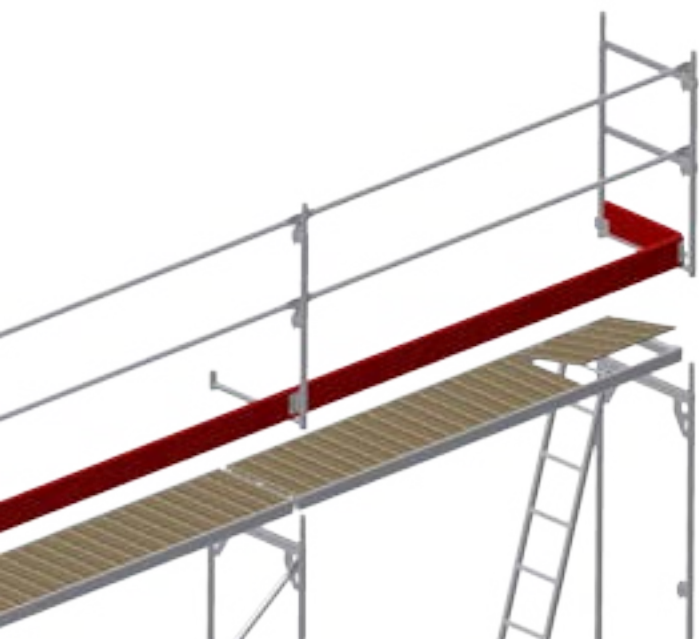


**INSTANT**

**FASADESTILLAS**  
Instant Blitz-Fix

*A complete components catalogue is available*



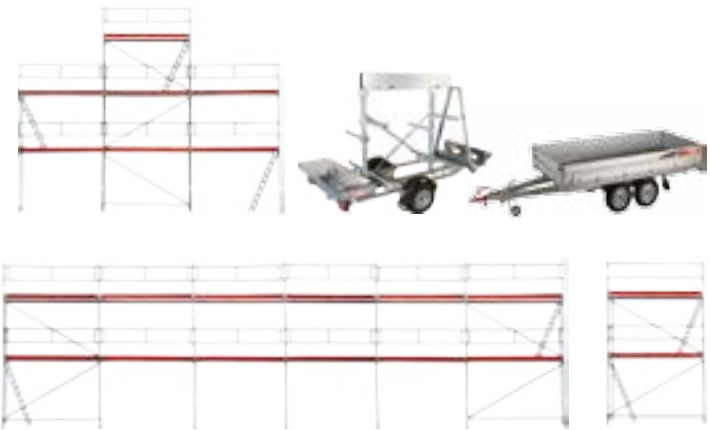


FACTS

- Type approved by the Norwegian Labor Inspection Authority, load level 3 (200 kg/m<sup>2</sup>)
- Maximum platform height: 24 m (without calculation)
- Section length: 3,07 m. Complete details: 0,50 m, 0,73 m, 1,09 m, 2,07 m and 2,57 m
- Basic vertical frames: 2,00 m x 0,73 m. Equalization frames: 0,66 m, 1,00 m and 1,50 m
- Double railings in aluminum or simple railings in galvanized steel.
- Platform with square sections in aluminum and platform plate in 12mm non-slip waterproof plywood. The construction of the platforms also makes them contribute to the necessary horizontal bracing. Can be delivered with the platform plate in aluminum.
- Access by platform with a hatch and an integrated sloping ladder (alternatively, a hatch and a loose ladder)
- A complete range of optional equipment such as exterior and interior consoles, netting grills for extra protection when working on roof tops, various types of connectors, signs and tools, stairway sections etc.

COMBO DEALS AND TRAILER PACKAGES

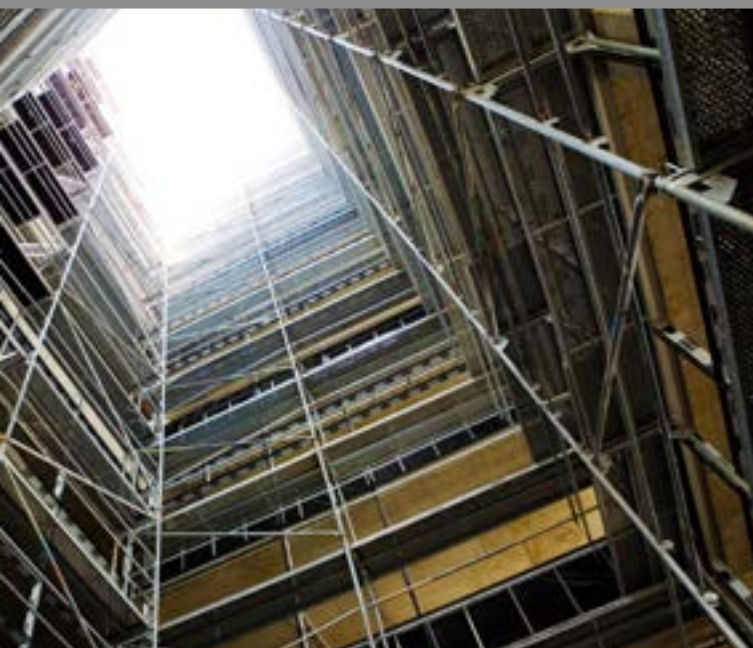
We have several combo deals for complete scaffolding and can also adjust offers in case other goals are desirable. All offers are detail specified and with the necessary components to meet the scaffold regulations. We are also offering packages where trailers are included.



TYPE APPROVAL









*The INSTANT brand has been known on the Norwegian market for about 40 years. Norway's leading rental shops, large government agencies as well as a vast number of entrepreneurs and contractors are among our faithful and satisfied customers.*

*Scaffolding products and INSTANT scaffolds in particular, have traditionally been, and will continue to be, a very important business area for us. However, we have broadened our range of products, adding facade scaffolds, lifts, material lifts, pedal lifts, building fences, walkways and material handling products also known as Blue Products.*

*Our main objective will always be to deliver high quality products at reasonable prices. We know that quality is essential for safe and secure operation.*

*Thus, our slogan: Our Quality - Your safety.*

**Norway**

Tel.: +47 23 19 11 00  
info@instant.no

**Lithuania**

Tel.: +370 5 233 1096  
info@instant.lt

**Latvia**

Tel.: +371 263 58 152  
info@instantlatvija.lv

**Estonia**

Tel.: +372 680 76 33  
info@instant.ee

**www.instant.no**